

# LODESTONE PACIFIC

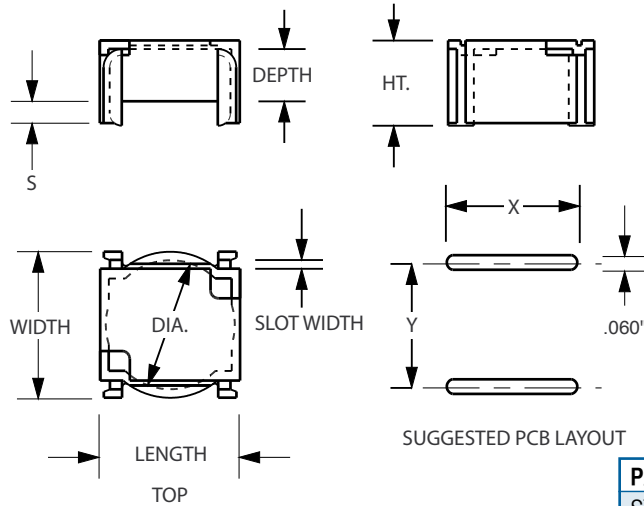


Phone: (800) 694-8089  
 www.lodestonepacific.com  
 E-mail: sales@lodestonepacific.com

## STM LC SERIES

**Material:** PPS (Black)  
**Rating:** UL 94-VO  
**2 Terminals:** Self Terminating  
**Package Method:** Bulk in Poly Bags  
 See RoHS compliant PVC packaging trays, or tape and reel options on page 57.  
**Application:** The STM LC Series is for self leading surface mount low current inductors. The series will accommodate wound toroidal cores from .200 up to .610 in diameter and uses the toroid's winding leads to surface mount the toroid and case to the printed circuit board. The wound toroid's leads are held in position by the slots and channels incorporated in the mounting case.

This product is the patented property of Pulse Engineering Inc.



± .010 inches  
 [mm] [Not to Scale]

PART NO.	TRAY NO.
STM20LC-02	TY50x50-A
STM30LC-02	TY50x50-A
STM37LC-02	TY74x77-A
STM44LC-02	TY74x77-A
STM50LC-02	TY74x77-A

PART NO.	LENGTH	WIDTH	HT.	DIA.	DEPTH	S	SLOT	X	Y	RECOMMENDED WIRE SIZE
STM20LC-02	.330 [8.38]	.330 [8.38]	.240 [6.09]	.270 [6.85]	.135 [3.42]	.080 [2.03]	.024 [0.60]	.300 [7.62]	.270 [6.85]	#32 (.009) to #22 (.027)
STM30LC-02	.425 [10.79]	.430 [10.92]	.310 [7.87]	.375 [9.52]	.175 [4.44]	.100 [2.54]	.036 [0.91]	.400 [10.16]	.360 [9.14]	#32 (.009) to #20 (.034)
STM37LC-02	.545 [13.84]	.550 [13.97]	.310 [7.87]	.490 [12.44]	.175 [4.44]	.100 [2.54]	.036 [0.91]	.520 [13.20]	.460 [11.68]	#32 (.009) to #20 (.034)
STM44LC-02	.575 [14.60]	.600 [15.24]	.350 [8.89]	.530 [13.46]	.210 [5.33]	.100 [2.54]	.036 [0.91]	.550 [13.97]	.510 [12.95]	#30 (.011) to #20 (.034)
STM50LC-02	.650 [16.51]	.680 [17.27]	.350 [8.89]	.610 [15.49]	.210 [5.33]	.100 [2.54]	.036 [0.91]	.620 [15.74]	.590 [14.98]	#30 (.011) to #20 (.034)

**Get Samples**  
 Request samples and literature and have them ship to you same day.  
[www.lodestonepacific.com/samplepricing.php](http://www.lodestonepacific.com/samplepricing.php)

**Check Inventory**  
 View daily updated inventory levels in USA and Hong Kong warehouses.  
[www.lodestonepacific.com/search.php](http://www.lodestonepacific.com/search.php)

**Request a Quote**  
 Request a quote and delivery and have it e-mailed to you same day.  
[www.lodestonepacific.com/quote.php](http://www.lodestonepacific.com/quote.php)

**Try Me!**  
**Toroid Mount Selector**  
 Search for a part to match your applications, download the .pdf  
[www.lodestonepacific.com/selectoroid.php](http://www.lodestonepacific.com/selectoroid.php)

**NEW!**  
**REACH Docs Database**  
 Search for REACH documents, view or download the certifications .pdf.  
[www.lodestonepacific.com/reach.php](http://www.lodestonepacific.com/reach.php)

**NEW!**  
**Find a Coil Winder**  
 Search our Coil Winder Data Base, for capabilities to match your specs.  
[www.lodestonepacific.com/coilwinders.php](http://www.lodestonepacific.com/coilwinders.php)